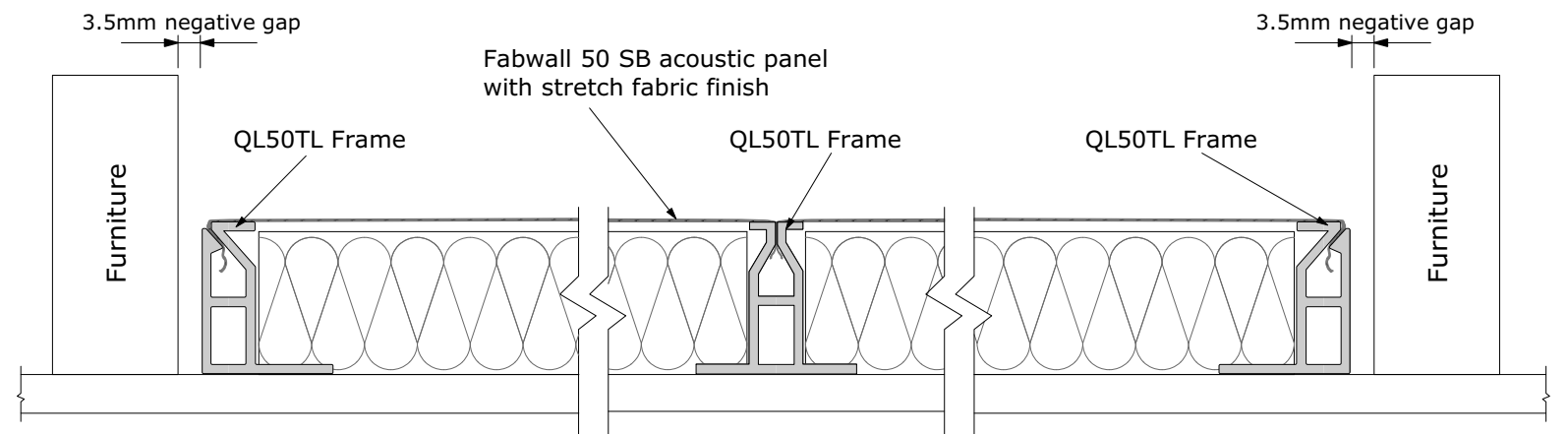


**Section A-A**



**Section B-B**

**asona**

www.asona.co.nz

info@asona.co.nz

6 Mahunga Drive, Mangere Bridge  
Auckland 2022, New Zealand  
Tel: +64 9 525 6575

**Fabwall 50 SB\* Detail to Wall Mounted Furniture**

**Product:** Asona Fabwall 50 SB

**Customer:**

**Project Name:**

**Job Number:**

**APPROVED**

Date: / /

Name:

Sign:

**NOTES**

\*SB = Site Built

**View: Section**

**Drawing Number:** FW-SB-002

**Version:** V2

**Drawing Date:** Sep 2024

**Scale:** N/A