

metapan ulTM - series

BAFFLE METAL CEILING SYSTEM



TECHNICAL DATA SHEET BPIR - CLASS 1



metapan ul[™] - series

Baffle Metal Ceiling System

Technical Data Sheet - BPIR Class 1

MetaPan UL[™] is an aluminium linear baffle ceiling system designed for commercial interiors. The baffles are available in 3 x depths and a range of standard colours and wood grain effects and the spacing may be varied to suit design and budget requirements. Baffles are connected to a perforated carrier to allow for easy install and demountability. The carrier may be curved for barrel vault designs.

Application

MetaPan UL[™] is ideal for commercial interiors, retail, civic, institutional and transport buildings that require a long life accessible linear baffle ceiling.

MetaPan UL[™] is also ideal for security applications due to the open areas between baffles.

Composition

Manufactured from extruded aluminium formed into baffles and polyester powder coated. Additional absorber material can be added behind to meet acoustical requirements, please consult with Asona's technical sales team.

Features & Benefits

- Easy to maintain powder coated finish.
- Uniform linear fin effect.
- Durable long life system.
- Non-combustible aluminium, 1-S Fire Group rating.
- Light weight compared to wood alternatives
- Available in a range of standard colours and woodgrain finishes in 75, 100, 150 mm baffle height options.
- Open area between baffles for visible plenum, ideal for security sensitive applications.
- Variable acoustic backing options to match system.
- Easy access for maintenance.
- Easily adaptable to any interior lay-out
- Can be used on horizontal, vertical and curved surfaces
- Easy service integration and access between baffles

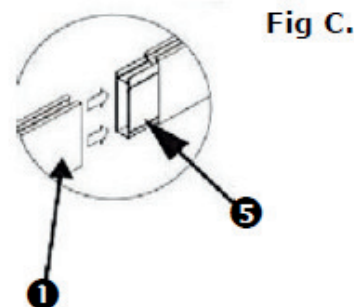
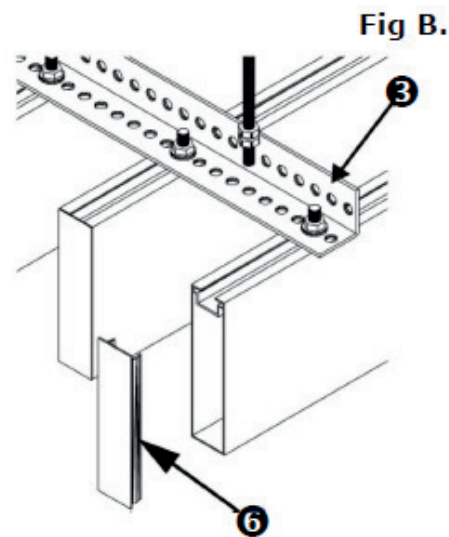
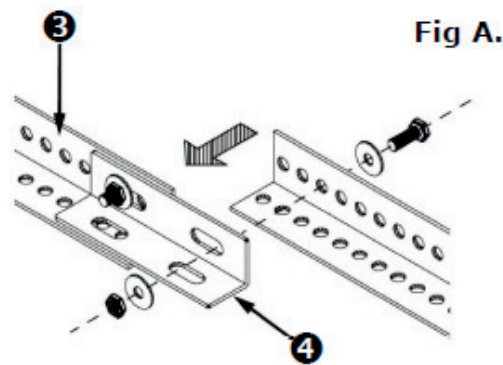
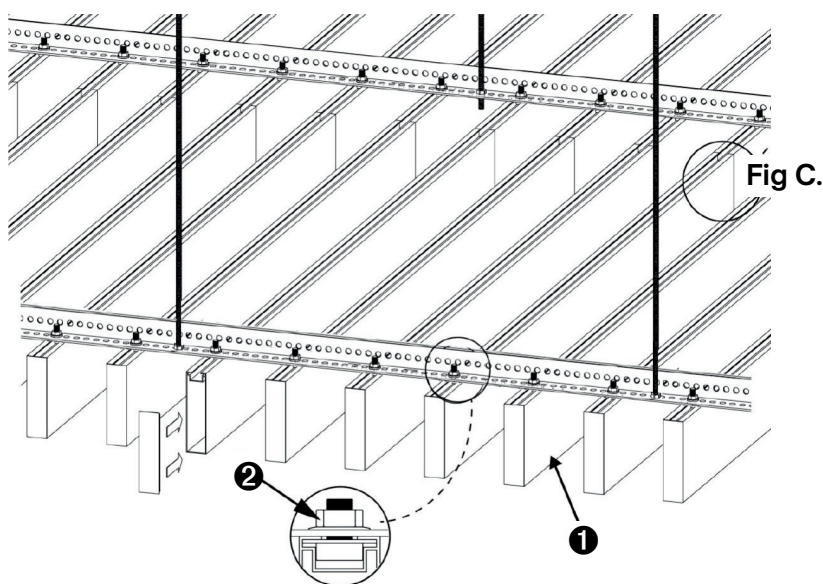


Model #	Baffle Dimension
MPUL1-2575	W25 x H75 x L3000 mm
MPUL1-25100	W25 x H100 x L3000 mm
MPUL1-25150	W25 x H150 x L3000 mm

Code	Parts Name
1. UL1Panel	MetaPan UL Baffle
2. UL1-101	UL1-Bracket (Bolt)
3. WG-101	Angle Carrier
4. WG-104	Angle Connector
5. UL1-105	UL1-Baffle Connector
6. UL1-104	UL1-End Cap

Assembly:

Suspend the Angle Carrier ③ (WG-101) at nominally 1200mm centres. Angle Carriers are connected with ④ Angle Connector (WG-104) (Fig A). The Baffles ① are connected to the angle carrier with bolts ② (UL1-101) (Fig B). Connect continuous runs of MetaPan UL Baffles (Fig C) with Baffle Connector ⑤ (UL1-105). End Caps ⑥ (UL1-104) are attached at all exposed ends of baffle lines (Fig B).



Maintenance:

Clean with damp soapy cloth, rinse with clean water and use chamois for streak free finish.

Limitations:

- For interior use only, and not in direct contact with water.
- Maximum humidity/temperature 95% R/H at 45°C.
- Back loading max. distributed load 1.0kg/m², point loads max 0.5 kg or to be independently supported.

NZ Building Act:

This product is not subject to a warning or ban under Section 26 NZ Building Code Compliance:

- B2 Durability – Clause B2.3.1 (c) (i): Asona MetaPan UL with only normal maintenance will have a minimum durability of at least 5 years when installed in accordance with; manufacturer's installation requirements and AS/NZS 2785:2020.
- C3 Fire – Clause C/AS2 3.4(a): Asona MetaPan UL has a Fire Material Group Number 1-S (A2-s1) by MBIE Building Performance Surface Finishes Standards Comparison 2938, 01 March 2015, in accordance with EN 13501-1:2002.

Warranty:

15 year limited warranty against manufacturing defects.

Installation:

Shall not commence until the building is watertight and dry. This product is to be mounted on a steel suspension system and installed to manufacturer's and AS/NZS 2785:2020 Standard's requirements. Seismic design may require a suitably qualified engineer. Care shall be taken when handling the product to avoid damage. Space baffles evenly as per drawings.

Specification:

Contact Asona or use Asona ceiling Masterspec 5164AM specification.