

snaptexTM

STRETCHED FABRIC WALL AND CEILING SYSTEM



TECHNICAL DATA SHEET - BPIR CLASS 2



snaptex™

Stretched Fabric Wall and Ceiling System

Technical Data Sheet - BPIR Class 2

Snaptex™ is a site built stretched fabric acoustic wall and ceiling system. Panels are available in a range of decorative finishes and may be large format or panelized with expressed negative detail in square, round or bevel edges. For acoustic control Sonaboard™ glass wool absorber is fitted under the fabric.

Application

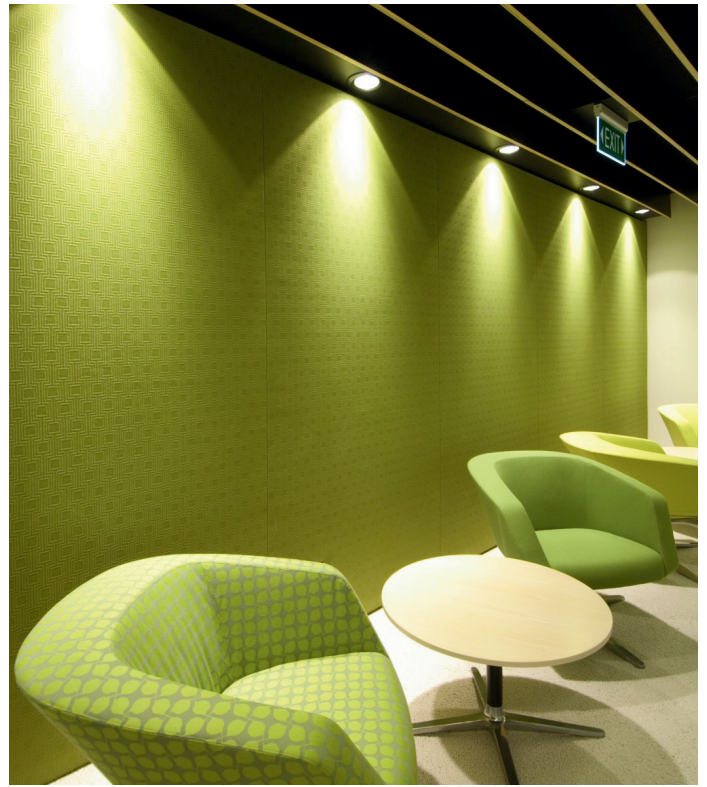
Snaptex™ helps create unique upscale interiors, ideal for noise control in meeting rooms, cinema, theatre, music rooms, restaurants, hotels, healthcare facilities etc.

Composition

Snaptex™ system comprises Snaptex™ fabric tensioning track fixed to wall, fire resistant Sonaboard™ in 13, 25, 40, 50, 75, 100mm options. Selected fabric is stretched taut with Snaptex™ track. Low density polyester wadding may be added where a soft padded look is desired.

Features & Benefits

- Wide range of fabric finishes available.
- Unique hinged interlocking jaws for perfect fabric tension and grip, Snaptex™ is easily re-opened for fabric maintenance.
- High sound absorption, NRC 0.60—1.00, quiet comfort.
- Square, bevel or reveal edge details.
- Sonatex™ impact or padded interlayer options.
- Site built for a perfect fit around architectural detail.
- Installed by our trained professional fixers.



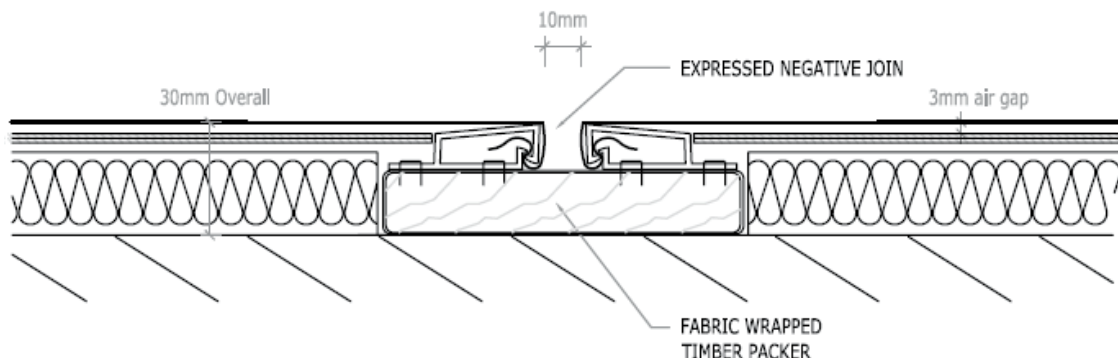
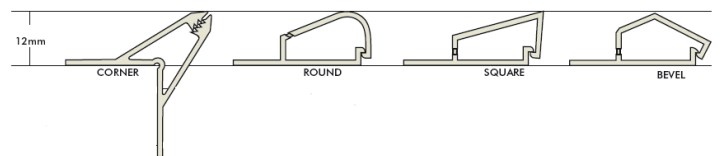
BECA Auckland—Reception

Technical Specifications

Sound Absorption Rating: Per ASTM C423

Type A, direct fix to plasterboard lining, 25mm system
NRC 0.85, 50 mm system NRC 1.00.

Panel	Hz	125	250	500	1000	2000	4000
System 13	∅p	0.05	0.15	0.45	0.75	0.95	0.95
System 25	∅p	0.15	0.35	0.85	1.00	1.00	1.00
System 40	∅p	0.20	0.65	1.00	1.00	1.00	0.90
System 50	∅p	0.35	0.85	1.00	1.00	1.00	0.95
System 75	∅p	0.60	1.00	1.00	1.00	1.00	1.00
System 100	∅p	0.90	1.00	1.00	1.00	1.00	0.90



Technical Specifications:

Dimensions:

Panels width and length determined by fabric selection and join detail. Thickness to suit acoustic absorption requirements. 13, 25, 40, 50, 75, 100mm thick systems. Refer Asona.

Environmental Impact:

From new and recycled content. Core from 80% recycled glass, low VOC. Easy to deconstruct or renew.

Fabric Finishes:

A wide range of screen fabrics are available, contact Asona. Client supplied fabric subject to prior approval. Thin fabrics may require backing to reduce show through of edge track.

Limitations:

- For interior use only, do not install in wet areas.
- For high impact zones consult Asona.
- Direct exposure to sun light may result in fabric fade. Fabric colour may vary batch to batch.

Maintenance:

Fabric can be vacuumed to remove dust and regular cleaning agents used for spot removal. If required the fabric may be removed for cleaning or refurbishment.

NZ Building Act

This product is not subject to a warning or ban under Section 26.

NZ Building Code Compliance:

- B2 Durability – Clause B2.3.1 (b) (i): Asona Snaptex with only normal maintenance will have a minimum durability of at least 5 years when installed in accordance with; manufacturer's installation requirements and AS/NZS 2785:2020.
- C3 Fire – Clause C/AS2 3.4(a): Asona Snaptex has a Fire Material Group Number 2-S by NZBC verification method C/VM2 Appendix A, tested in accordance with ISO 5660 or ISO 9705. BRANZ test report FH5320-12-2. Alternative fabrics to that tested may result in a different Group number rating.

Warranty:

5 year limited warranty against manufacturing defects.

Installation:

Snaptex™ is a decorative finish and shall be installed late in the build program once the building is water tight and free of dust and debris from other trades. Utility outlets shall be mounted flush with fabric face.

Snaptex™ Profiles:

13mm profile standard, fix to timber packer for use with 25, 40, 50, 75, 100mm Sonaboard™. Other profiles available. Refer Technical Library at asona.co.nz/technical-library for individual installation details specific to installation type.

Specification:

Fabric wall panels shall be Asona Snaptex™ stretched fabric acoustical panels, system, site built, as supplied and installed by Asona Ltd. Tel: 09 525 6575 info@asona.co.nz. Fabric finish shall be (specify type), fabric width, panel join type (10mm negative) (3 mm pencil line) (sewn seam) Panel size shall be (length) x (width), panel thickness shall be (13) (25)(40)(50)(75)(100)mm. Fire Group (2)(2-S) (Asona ceiling Masterspec specification available).



BECA Auckland—Boardroom



MIT Manukau—Landings