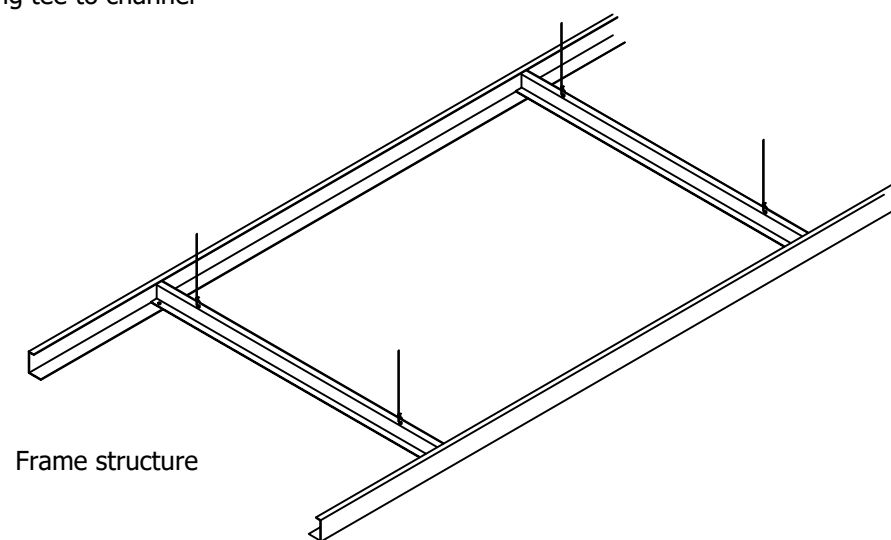


Description:

Asona Triton 25 acoustic panel with Sonatex facing. Other Triton panels available in various thicknesses. 25mm - NRC 0.95



www.asona.co.nz
 info@asona.co.nz
 6 Mahunga Drive, Mangere Bridge
 Auckland 2022, New Zealand
 Tel: +64 9 525 6575

Concrete Double Tee Ceiling Hanger Wire – TR25

Product: Asona Triton Acoustic Panel 25mm
Customer:
Project Name:
Job Number:

APPROVED
 Date: / /
 Name:
 Sign:

NOTES

View: Section

Drawing Number: TR-004-1 V3
Drawing Date: Sep 2024
Drawn by: YP
Scale: N/A