

# tecsound® tubes

## SOUNDPROOFING MEMBRANE



TECHNICAL DATA SHEET - BPIR CLASS 1



# tecsound® tube s

## Soundproofing pipes

### Technical Data Sheet - BPIR Class 1

TECSOUND® Tube S is a high mass acoustic pipe lagging barrier designed for soundproofing of wastewater and other pipes.

#### Application

- Residential or commercial buildings where liquids are moved via pipes through walls or floor/ceiling voids
- Soundproofing of all types of pipes: PVC, metal.

#### Composition

TECSOUND® Tube S is a soundproofing assembly made from Tecsound membrane bonded to a non-woven porous polyester fleece. It includes two self-adhesive strips for easier installation.

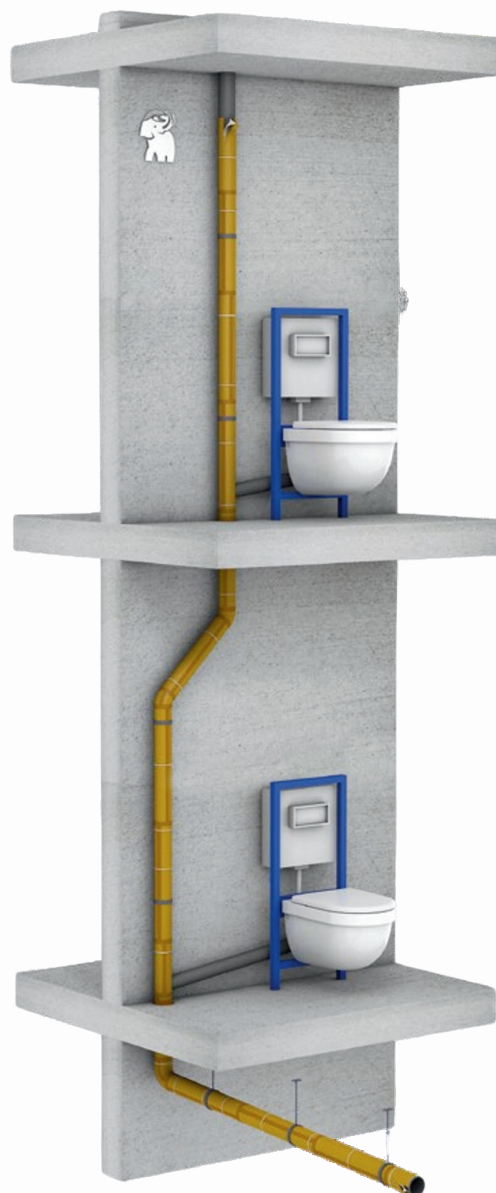
#### Features & Benefits

- Thin profile assists installation in tight areas.
- Self-adhesive strips for positioning and overlapping eases installation.
- Suitable for new and refurbishment projects
- Does not crack or break at low temperatures.
- Suitable for use on and adaptable to elbows and branches.
- Excellent aging resistance.
- Easy to handle and cut.
- Easy and quick installation directly on the pipe.
- High performance for reduction of airborne and impact noise.
- Tecsound® S50 Band 50 can be used to provide seals over joints and overlaps.

#### Acoustic performance

Insertion loss factor (ILa,A):

To EN 14366 (2005), the acoustic performance of the insulation wrapped around a 100mm PVC waste water pipe, measured in dB(A).



#### Characteristics

#### Value

	0.5l/s	1.0l/s	2.0l/s
Flow	0.5l/s	1.0l/s	2.0l/s
Airborne noise Lan bare PVC	50	52	55
Airborne noise Lan PVC pipe + Tecsound Tube S	35	37	41
Acoustic insulation:			
Insertion loss of airborne noise (ILa,A):	15	15	14
Frequency (Hz)			
125	3.7	2.3	2.7
250	3.3	3.7	3.9
500	6.8	6.7	7.2
1000	12.3	10.2	10.7
2000	14.9	14.3	14.2
4000	17.5	18.3	17.3

ISO 9001:2015 Registered Firm No. NZ1014

© 2024 Copyright ASONA Ltd Asona, is a trade mark of Asona Ltd, TECSOUND, Tube S and S50 Band 50 are trade marks of Soprema LLC.

\*All dimensions are nominal. We reserve the right to change specifications.

Ref. Tecsound TS-24.10

Asona Ltd. Office & Factory  
6 Mahunga Drive, Māngere  
Bridge, Auckland 2022  
New Zealand  
NZBN: 9429036035175

New Zealand  
T: +64(0)9 525 6575  
E: info@asona.co.nz  
W: www.asona.co.nz

Australia  
T: 1 800 240361  
E: info@asona.com.au  
W: www.asona.com.au

**asona**

## Product Specifications:

Tecsound®	Tube S
Thickness (mm)	4.75
Weight (kg/m <sup>2</sup> )	3.75
Roll dimensions	80m x 400mm
m <sup>2</sup> /roll	3.2
Roll/pallet	40



## Accessory:

### Tecsound® S50 Band 50

Tecsound S band is a synthetic tape made of Tecsound membrane, with a built-in adhesive layer enabling it to be applied over joints and overlaps. It is also used straight on to metal framing in plasterboard partitions subject to vibrations.



Tecsound®	S50 Band 50
Thickness (mm)	2.5
Roll dimensions	6.0m x 50mm
Surface density	5.0 kg/m <sup>2</sup>

## Limitations:

- For interior use only.
- Operating Service Temperature: -10 up to 70°C.

## Maintenance:

- Tecsound is rot-proof
- The material doesn't require any maintenance once it's installed in its final location.

## NZ Building Act

This product is not subject to a warning or ban under Section 26.

### NZ Building Code Compliance:

- B2 Durability – Clause B2.3.1 (b) (i): Soprema Tecsound Tube S will have a minimum durability of at least 15 years when installed in accordance with; manufacturer's installation requirements.
- C3 Fire – Clause C/AS2 3.4(a): Soprema Tecsound Tube S is currently scheduled for testing. Due to its similarity to Tecsound SY, it is likely to have a Fire Material Group Number 1-S (B-s1/s2), no greater than 2-S, by MBIE Building Performance Surface Finishes Standards Comparison 2938, 01 March 2015 in accordance with EN 13501-1:2007.

### Storage & Handling:

TECSOUND Tube S should be stored vertical on pallets, without stacking. Product supplied in rolls with carton core inside. Store it in the original packaging, in dry conditions, well ventilated and protected from hot temperatures and UV radiation, not exposed to temperatures higher than 35 °C. The maximum period of storage is 1 year.

## Warranty:

15 year limited warranty against manufacturing defects.

## Specification:

Acoustic pipe attenuation shall be Tecsound Tube S sound attenuation membrane as supplied by Asona Ltd Auckland NZ Tel: +64(0)9 525 6575 info@asona.co.nz. Membrane shall be self adhesive, 4.75mm thick, 3.75 kg/m<sup>2</sup>, joints & overlaps shall be sealed with Tecsound S50 Band 50.

## Installation:

**A**— Cut the roll at the desired length not exceeding 1 meter. If the diameter is below 100 mm, cut across the roll the pipe circumference plus a further 50 mm for the overlaps. Remove the protective film from the selfadhesive strip.

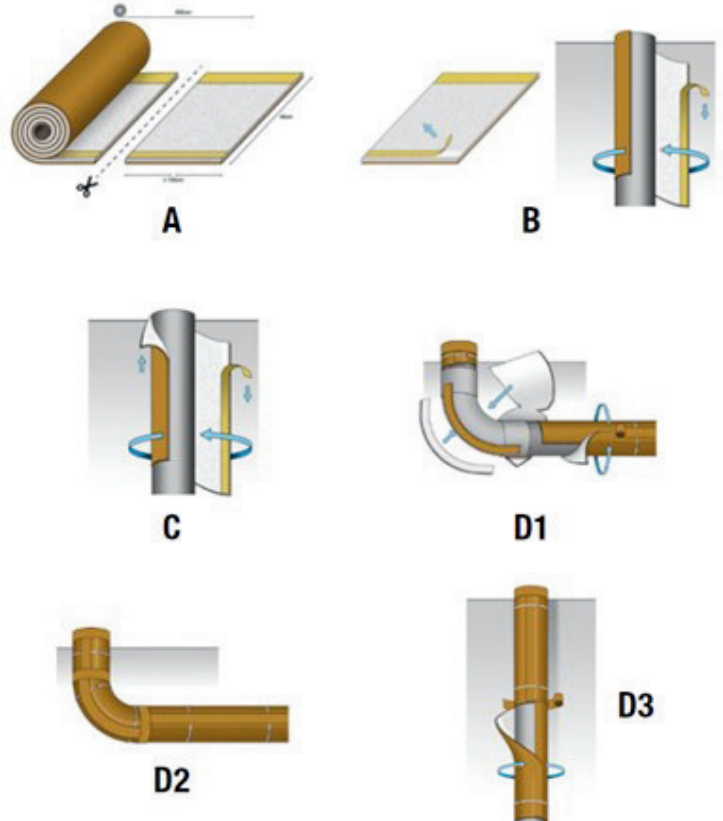
**B/C**—Apply the Tecsound® Tube S with the polyester fleece and 25mm self-adhesive strip in contact with the pipe, wrap, overlap and seal with the 50mm self-adhesive strip. Gradually cover the duct. For refurbishment, pipe clamps should be opened to allow a continuous insulation of the pipe.

**D**— Seal overlaps and joints using Tecsound® S50 Band 50. Apply Tecsound® S50 Band 50 to elbows to improve impact noise damping. Apply the adjoining pieces butt joined without leaving any gaps.

## NOTES:

During refurbishment, if pipe clamps can't be opened, start the installation of the Tecsound Tube S from the pipe clamps.

If a new job, please ensure that the pipe clamps are big enough to embrace the soundproofing solution.



ISO 9001:2015 Registered Firm No. NZ1014

© 2024 Copyright ASONA Ltd Asona, is a trade mark of Asona Ltd, TECSOUND, Tube S and S50 Band 50 are trade marks of Soprema LLC.

\*All dimensions are nominal. We reserve the right to change specifications.  
Ref. Tecsound TS-24.10

Asona Ltd. Office & Factory  
6 Mahunga Drive, Māngere  
Bridge, Auckland 2022  
New Zealand  
NZBN: 9429036035175

New Zealand  
T: +64(0)9 525 6575  
E: info@asona.co.nz  
W: www.asona.co.nz

Australia  
T: 1 800 240361  
E: info@asona.com.au  
W: www.asona.com.au

**asona**