

triton fabwall sb™

STRETCHED FABRIC WALL AND CEILING SYSTEM



TECHNICAL DATA SHEET - BPIR CLASS 2



triton fabwall sb™

Stretched Fabric Wall and Ceiling System

Technical Data Sheet - BPIR Class 2

Triton Fabwall SB™ is a site built stretched fabric system designed to provide a decorative acoustic finish to walls and ceilings. Fabric is friction fitted to the Quicklock track and mounted over 13, 25 or 50 mm thick Polyfon™ or Sonaboard™ sound absorbing panels to meet project acoustic requirements. A wide range of screen fabric finishes are available.

Application

Triton Fabwall SB™ is specifically designed to meet the DQLS recommendation for 20% wall coverage at NRC 0.85 for classrooms and flexible learning spaces. Also ideal for meeting rooms, video conference rooms and corporate offices.

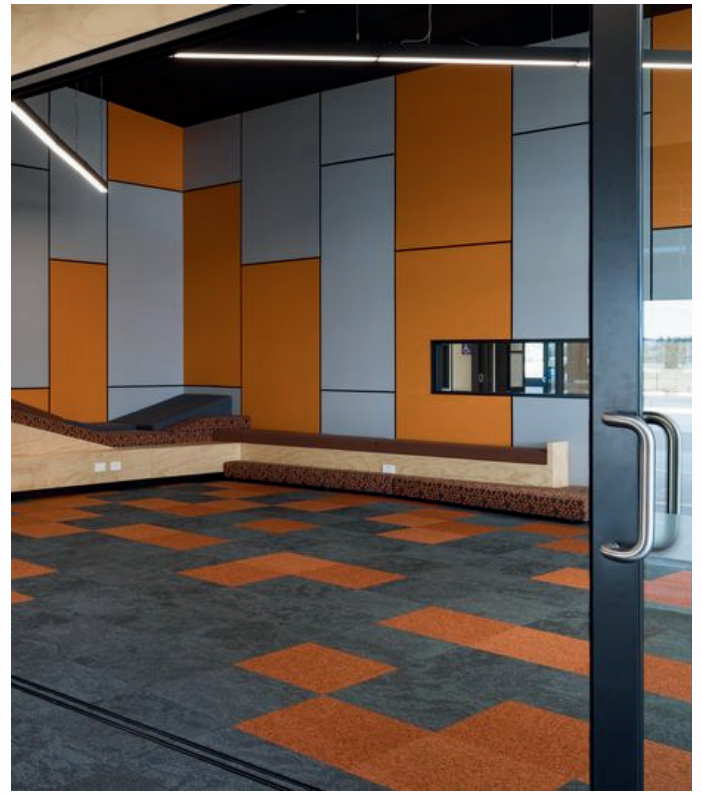
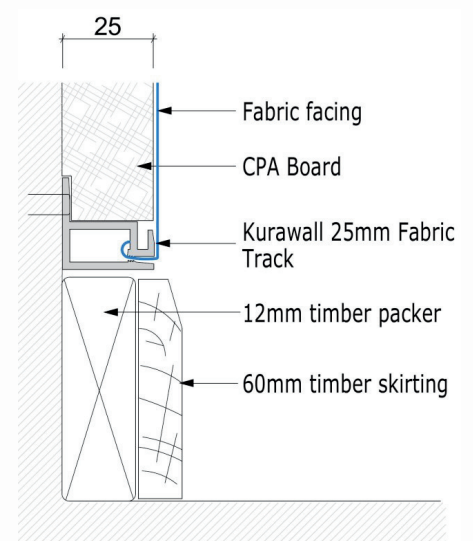
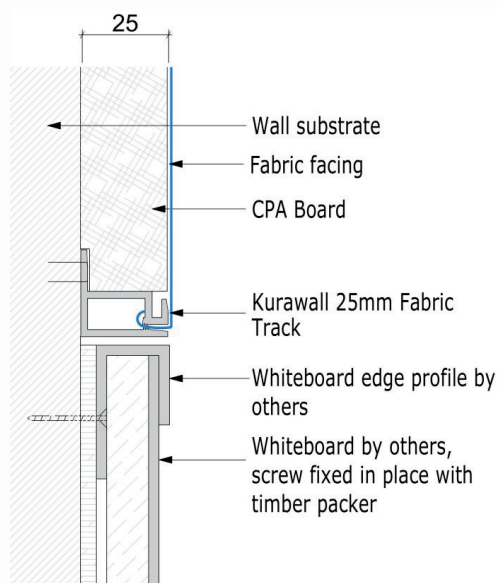
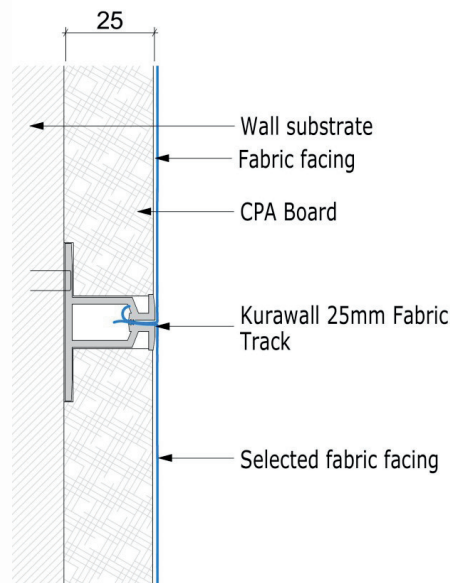
Composition

Fabric finish, Polyfon or Sonaboard sound absorber panel, Quicklock QL15, QL25™ or Quicklock QL50™ fabric track.

Features & Benefits

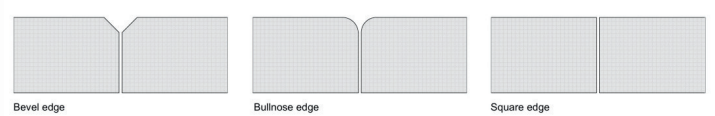
- Built on site by our trained installers for perfect fit to as built conditions.
- Attractive range of screen fabric finishes
- 160, 170 or 188 cm wide fabrics allows for large panel layouts with vertical seams or long seamless 'rail-road' horizontal runs. Fabric can be sewn to reduce framing costs or for large areas.
- Range of 15, 25, 50 mm friction fit fabric tracks profiles to match with selected sound absorber backing board.
- Option of Polyfon™ or Sonaboard acoustic panels for control of reverberation.
- Sound absorption up to NRC 1.00.

Technical Specifications



- Fabric tension system allows for easy replacement of soiled or damaged fabric.
- Track and board can be installed early in the construction phase with final fabric installation occurring once the site is clean. Save construction time and labour costs.
- Sound absorbing panels will bridge joins in plasterboard wall linings saving on plastering costs and time.
- Can be fitted to concave or convex walls to eliminate sound reflection.

PROFILE EDGES



ISO 9001:2015 Registered Firm No. NZ1014

© 2023 Copyright ASONA Ltd Asona, Triton Fabwall SB, Polyfon, Sonaboard are trade marks of Asona Ltd.

All dimensions are nominal. We reserve the right to change specifications.

Ref. Triton Fabwall SB-23.12

Asona Ltd. Office & Factory
6 Mahunga Drive, Māngere
Bridge, Auckland 2022
New Zealand
NZBN: 9429036035175

New Zealand
T: +64(0)9 525 6575
E: info@asona.co.nz
W: www.asona.co.nz

Australia
T: 1 800 240361
E: info@asona.com.au
W: www.asona.com.au

asona

Acoustics:

15 mm panel—NRC 0.60

25 mm panel—NRC 0.85

50 mm panel—NRC 1.00

Polyfon™ compressed polyester sound absorber or lower cost

Sonaboard™ high density glasswool sound absorber panel.

Dimensions:

Panels width and length determined by fabric selection and join detail.

Refer Asona.

Fabric Finishes:

Fire rated 1-S fabric finishes from the Textilla range, contact Asona. Client supplied fabric subject to suitability.

Limitations:

- For interior use only, do not install in wet areas.
- For high impact zones consult Asona.
- Direct exposure to sun light may result in fabric fade. Fabric colour may vary batch to batch.

Maintenance:

Fabric can be vacuumed to remove dust and regular cleaning agents used for spot removal. If required the fabric may be removed for cleaning or refurbishment.

NZ Building Act

This product is not subject to a warning or ban under Section 26.

NZ Building Code Compliance:

- B2 Durability – Clause B2.3.1 (b) (i): Asona Triton Fabwall SB™ with only normal maintenance will have a minimum durability of at least 5 years when installed in accordance with manufacturer's installation requirements.
- C3 Fire – Clause C/AS2 3.4(a): Asona Triton Fabwall SB™ has a Fire Material Group Number 2-S by NZBC verification method C/VM2 Appendix A, tested in accordance with ISO 5660 or ISO 9705. BRANZ test report FH5320-12-2. Alternative fabrics to that tested may result in a different Group number rating.

Quicklock Fabric Track:

Secures fabric in place, standard 15, 25 or 50 mm deep profile with friction fit design. Other profiles available to order.

Warranty:

5 year limited warranty against manufacturing defects.

Installation:

Building shall be closed in and dry, track and sound absorber panel may be installed early, fabric finish shall be installed once site is clean and free of dust and wet trades completed.

Specification:

Acoustic (wall) (ceiling) lining shall be Asona Triton Fabwall SB™ stretched fabric panels as supplied and installed by Asona Ltd. Tel: +64 (09) 525 6575, info@asona.co.nz. Comprising Quicklock fabric track, (Polyfon™) (Sonaboard™), thickness (15) (25) (50) mm, Fabric finish shall be (specify type), width, square join, Install panels in sizes and layouts as per drawings.

(Asona ceiling Masterspec specification available).

