

# Meta-Pan™ C-series

## Open Cell Metal Ceiling System

Technical Data sheet



asona



### Description.

Meta-Pan™ C-series Open Cell ceiling system applies an open cell ceiling design. Each unit is composed of 600mm aluminium alloy strips which can be installed and demounted separately. This makes any maintenance work of facilities like fire-fighting equipment, air-conditioning and electric appliances more accessible.

### Application.

Meta-Pan™ is ideal for civic, institutional and commercial buildings that require a long life accessible acoustical ceiling. Transportation terminals, healthcare facilities or as a decorative ceiling for offices & hospitality.

### Composition.

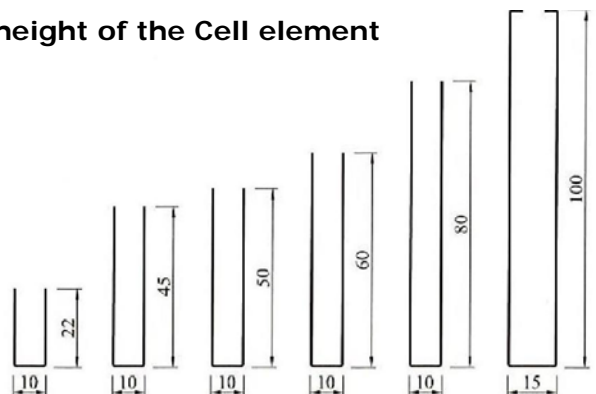
Manufactured from aluminium alloy strips, press formed, polyester powder coated. Additional absorber material can be added behind to meet acoustical requirements, please consult Asona's technical sales team.

### Benefits.

- Washable powder coated finish.
- Durable long life system
- Available in plain white or black finish (colours to order)
- Wide range of cell height options.
- Non combustible.
- Preformed cut outs for easy service integration.
- Easy access for maintenance.
- Variable acoustic backing options
- 1S Fire Group Rating

Model #	Cell Dimension
MPC-50	50 x 50 mm
MPC-75	75 x 75 mm
MPC-100	100 x 100 mm
MPC-125	125 x 125 mm
MPC-150	150 x 150 mm
MPC-180	180 x 180 mm
MPC-200	200 x 200 mm
MPC-300	300 x 300 mm

### The height of the Cell element



# Meta-Pan™ C-series

## Open Cell Metal Ceiling System

### Suspension Drawing: Indoor Open Cell Ceiling System



asona

Model #	Parts Name
1. A-600	Cell Element
2. B-600	Cell Element
3. C1-600	Cross Runner
4. C2-1200	Cross Runner
5. C3-1800	Main Runner
6. C-101	Cell Ceiling Support
7. CLT	Light Adapter
8. C-107	Runner Connector

The whole suspended ceiling is constructed by cell elements A & B, cross runner C1 & C2 and main runner C3. (see diagrams). The suspension of this system is mainly hung by cell ceiling support (C-101) in order to hold the main runners on the ceiling (Fig A.) The runner connector (C-105) is used to connect the runners

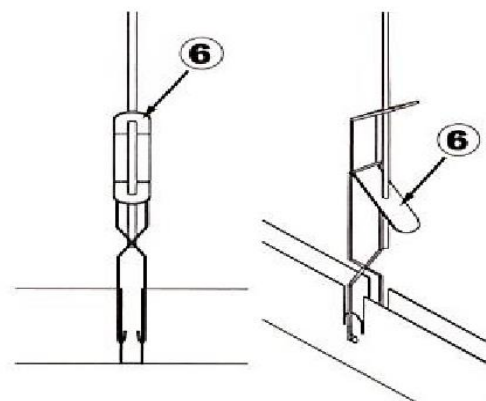
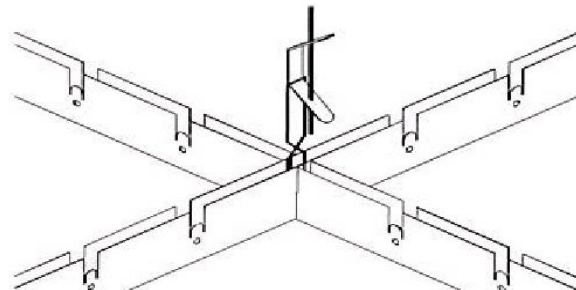


Fig A.

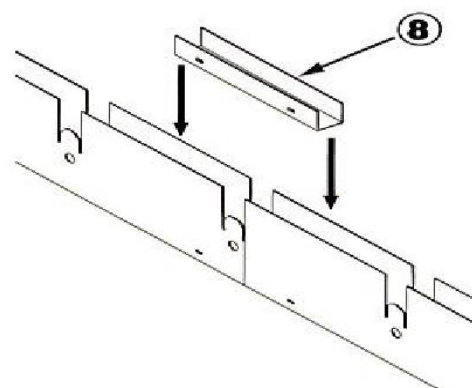
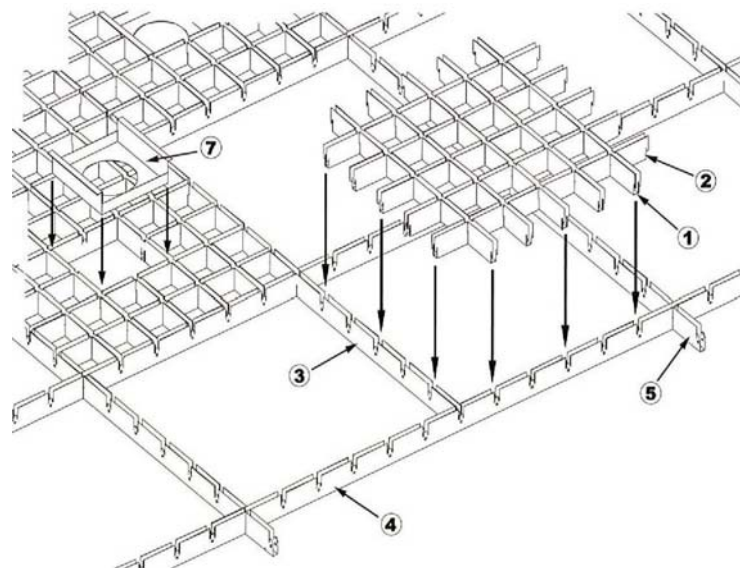


Fig B.

#### Maintenance:

Clean with damp soapy cloth, rinse with clean water and use chamois for streak free finish.

#### NZ Building Code:

Clause B2—durability, 5 years

#### Installation:

Shall not commence until the building is water tight and dry. Light fittings shall be independently supported.

#### Specification:

Ceiling shall be Meta-Pan™ metal ceiling system by Asona Ltd, tel: 09 525 6575, fax 09 525 6579. Model # ( ), size ( ) x ( )mm, colour ( ) installed on exposed grid system, secure with 2 x hold down clips per panel.

#### Asona Ltd

P.O Box 96-241 Balmoral,  
Auckland, New Zealand  
Sales: 09 525 6575  
Email: info@asona.co.nz  
Web: www.asona.co.nz

Factory:  
Building 14, 7 Cain Road  
Penrose  
Auckland, New Zealand  
Tel: (09) 525 6575  
Fax: (09) 525 6579

ISO 9001:2008 Registered Firm No.  
NZ1014

© Copyright ASONA Ltd 2018  
Asona, Meta-Pan are trade marks of Asona Ltd  
All dimensions are nominal. We reserve the right to change specifications.  
Ref. Meta-Pan C Series—1811