

Meta-Pan™ P-series

Lay-in Metal Ceiling System

Technical Data sheet



ASONA



Description.

Meta-Pan™ P201 Lay-in ceiling system is a moveable ceiling design which must be placed on the t-shaped runner. Each ceiling component can be easily installed and demounted. Different height panels are available including 10mm, 15mm, 20mm and 30mm (Fig. C) which creates different visual effects.

Application.

Meta-Pan™ is ideal for civic, institutional and commercial buildings that require a long life accessible acoustical ceiling. Transportation terminals, healthcare facilities or as a decorative ceiling for offices & hospitality.

Composition.

Manufactured from aluminium sheet, press formed and polyester powder coated. Additional absorber material can be added to meet acoustical requirements, please consult with Asona's technical sales team.

Benefits.

- Washable powder coated finish
- Easy Lay-in system, easy to reconfigure
- Durable long life system
- Available in plain white or black finish (colours to order)
- Wide range of cell height options.
- Preformed cut outs for easy service integration.
- Easy access for maintenance.
- Variable acoustic backing options
- 1S Fire Group Rating

Model #	Tile Dimension
MPP1-575	575 x 575 mm (Bevelled)
MPP1-585	585 x 585 mm (Square)
MPP1-595	595 x 595 mm (Square)

Model #	Parts Name
1. P1-Panel	Ceiling Panel
2. P-24-1	Main Runner (3.0m)
3. P-24-2	Cross Runner (1.2m)
4. P-24-3	Cross Runner (0.6m)
5. P-14-1	Main Runner (3.0m)
6. P-14-2	Cross Runner (1.2m)
7. P-14-3	Cross Runner (0.6m)
8. P-102	Runner Bracket
9. P-103	Security Clip
10. P-103A	Security Clip

Meta-Pan™ P-series

Lay-in Metal Ceiling System

Suspension Drawing: 201 Lay-in Ceiling System



asona

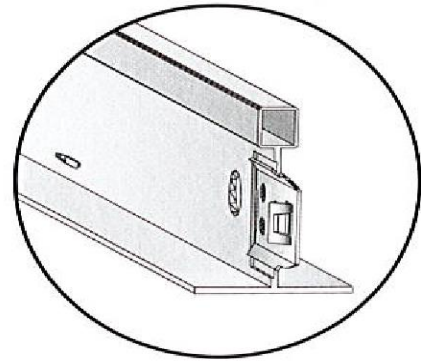
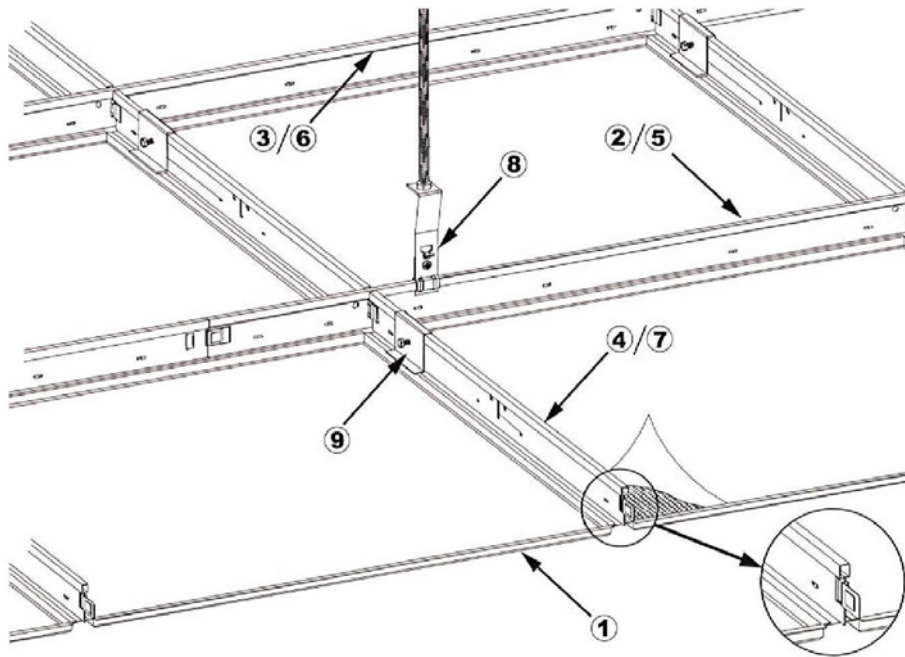


Fig C.



Height of the panels

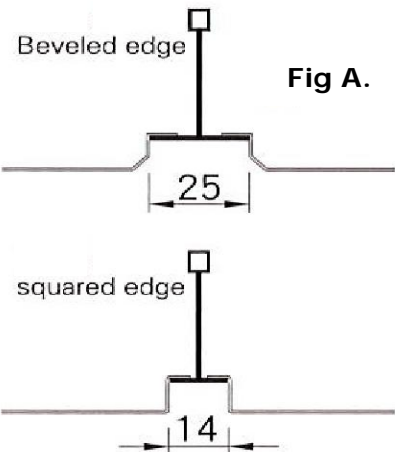


Fig A.

The combination of the T-shaped main and cross runners are built by the suspension frame which is hung by the T-runner bracket (P-102).

Maintenance:

Clean with damp soapy cloth, rinse with clean water and use chamois for streak free finish.

NZ Building Code:

Clause B2—durability, 5 years

Installation:

Shall not commence until the building is water tight and dry. Light fittings shall be independently supported.

Specification:

Ceiling shall be Meta-Pan™ metal ceiling system by Asona Ltd, tel: 09 525 6575, fax 09 525 6579. Model # (), size () x ()mm, colour () installed on exposed grid system, secure with 2 x hold down clips per panel.

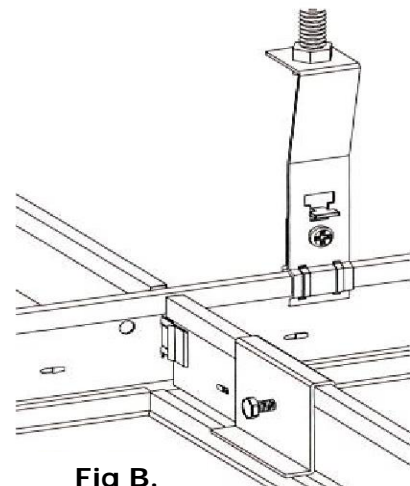


Fig B.

Asona Ltd

P.O Box 96-241 Balmoral,
Auckland, New Zealand
Sales: 09 525 6575
Email: info@asona.co.nz
Web: www.asona.co.nz

Factory:
Building 14, 7 Cain Road
Penrose
Auckland, New Zealand
Tel: (09) 525 6575
Fax: (09) 525 6579

ISO 9001:2008 Registered Firm No.
NZ1014

© Copyright ASONA Ltd 2018
Asona, Meta-Pan are trade marks of Asona Ltd
All dimensions are nominal. We reserve the right to change specifications.
Ref. Meta-Pan P-Series—1811