

Meta-Pan™ UL-series

Baffle Metal Ceiling System

Technical Data sheet



ASONA



Description.

Meta-Pan™ UL301 is an open plan ceiling design. In order to fit into various interior layouts the style and spacing of the baffles can be tailor-made to suit clients preference. Installation on vertical or curved surfaces is also possible. Each ceiling component can be easily installed and demounted in order to simplify the procedures during inspection of equipment / services above the ceiling.

Application.

Meta-Pan™ is ideal for civic, institutional and commercial buildings that require a long life accessible acoustical ceiling. Transportation terminals, healthcare facilities or as a decorative ceiling for offices & hospitality.

Composition.

Manufactured from aluminium sheet, press formed into baffles and polyester powder coated. Additional absorber material can be added behind to meet acoustical requirements, please consult with Asona's technical sales team.

Benefits.

- Washable powder coated finish
- Uniform linear fin effect
- Durable long life system
- Available in plain white or black finish (colours to order)
- Wide range of baffle height options.
- Non combustible, 1S Fire Group rating
- Variable acoustic backing options to match system
- Easy access for maintenance.
- Light weight compared to wood alternatives
- Easily adaptable to any interior lay-out
- Can be used on horizontal, vertical and curved surfaces.
- Easy service integration and access

Model #	Tile Dimension
MPUL1-2550	W25 x H50 mm
MPUL1-2575	W25 x H75 mm
MPUL1-25100	W25 x H100 mm
MPUL1-25150	W25 x H150 mm

NB: Maximum length is 3.6 mm

Meta-Pan™ UL-series



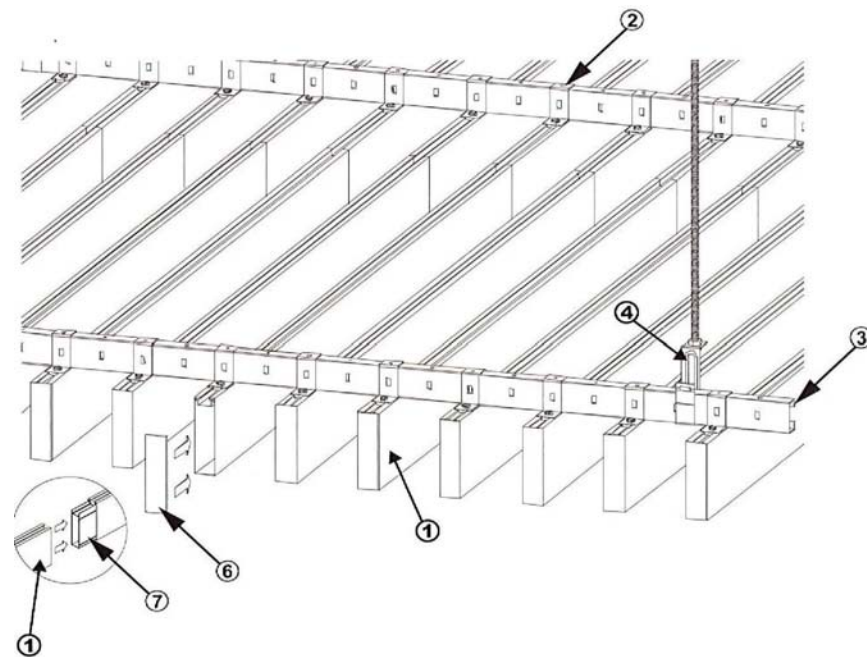
Baffle Metal Ceiling System

Suspension Drawing: 301 Baffle Ceiling System

ASONA

Model #	Parts Name
1. DUL1Panel	Ceiling Panel
2. UL101	UL1-Bracket
3. UL-102	UL1-Carrier
4. UL-103	UL1-Carrier Bracket
5. UL-107	UL1-Carrier Connector
6. UL1-104	UL1-End Cap
7. UL1-105	UL1-Panel Connector

The ceiling is suspended by main runners (UL1-102) with runner clamps (UL1-101). The distance between each runner is about 1200mm. The runner connector (UL1-103) directly joins the screws and the runner.



Maintenance:

Clean with damp soapy cloth, rinse with clean water and use chamois for streak free finish.

NZ Building Code:

Clause B2—durability, 5 years

Installation:

Shall not commence until the building is water tight and dry. Light fittings shall be independently supported.

Specification:

Ceiling shall be Meta-Pan™ metal ceiling system by Asona Ltd, tel: 09 525 6575, fax 09 525 6579. Model # () , size () x ()mm, colour () installed on exposed grid system, secure with 2 x hold down clips per panel.

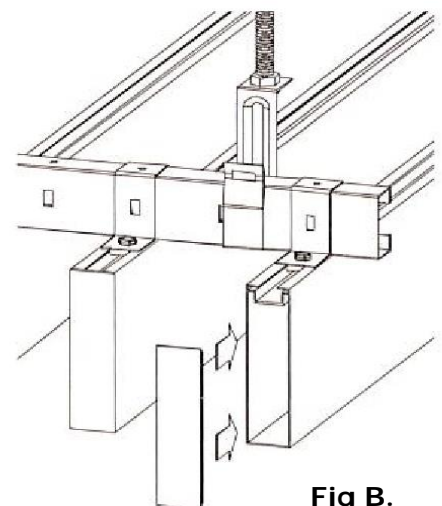
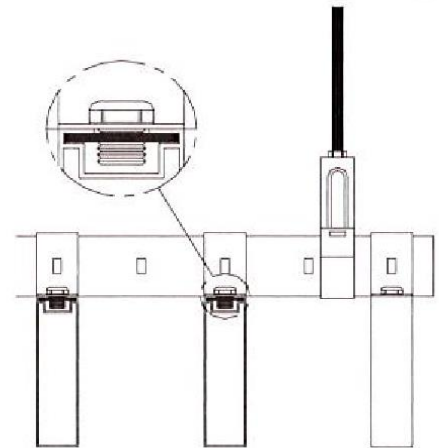
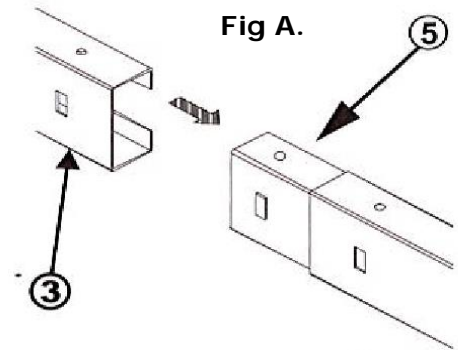


Fig B.

Asona Ltd

P.O Box 96-241 Balmoral,
Auckland, New Zealand
Sales: 09 525 6575
Email: info@asona.co.nz
Web: www.asona.co.nz

Factory:
Building 14, 7 Cain Road
Penrose
Auckland, New Zealand
Tel: (09) 525 6575
Fax: (09) 525 6579

ISO 9001:2008 Registered Firm No.
NZ1014

© Copyright ASONA Ltd 2018
Asona, Meta-Pan are trade marks of Asona Ltd
All dimensions are nominal. We reserve the right to change specifications.
Ref. Meta-Pan UL- Series—1811